



Sometimes it's good to start small, not slow.

SPECIFICATIONS: 2023 RX 125E (K3)

| | |
|------------------|--|
| Engine | 125cc Single Cylinder, 4-Stroke, Air-Cooled. |
| Displacement | 123.6 |
| Bore x Stroke | 54 mm x 54 mm |
| Compression | 9.0:1 |
| Shift Type | Manual Wet Multi-Plate, N-1-2-3-4, 4-Gears |
| Start Type | Electric & Kick Start |
| Ignition | Digital CDI |
| Drive Train | 14/41 with a #428 Chain |
| Front Fork | Inverted Hydraulic Forks, 4.75" Travel |
| Rear Shock | None-Adjustable Shock, 3.25" Travel |
| Front Wheel | 1.60 x 14 Steel Rims |
| Rear Wheel | 1.85 x 12 Steel Rim |
| Front Tires | 60/100-14 |
| Rear Tires | 80/100-12 |
| Front Brake | Dual Piston Caliper, 220mm Disc |
| Rear Brake | Single Piston Caliper, 190mm Disc |
| Frame | Perimeter Triangle Girders Steel Frame |
| Swing-Arm | Tube High Strength Steel Swingarm (Length 12.6") |
| Handle Bar | 6061 MX Aluminum |
| Packing Size | 62.60 x 14.75 x 30.00" (1590x375x760mm) |
| Wheel Base | 47.25" (1200 mm) |
| Seat Height | 31.90" (810 mm) |
| Ground Clearance | 11" (280 mm) |
| Fuel Capacity | 1.2 Gallons (4.5 L) |
| N.W | 143lbs (65KG) |
| G.W | 171lbs (78KG) |
| Color | Red / White / Black |

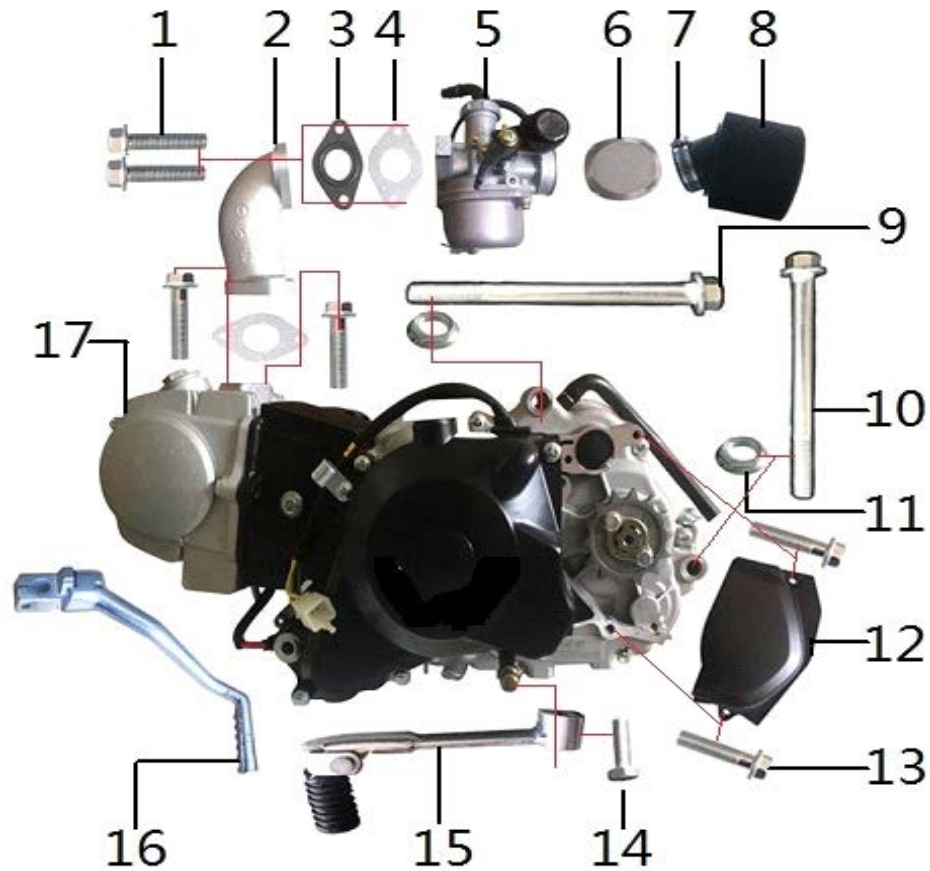
Sug Retail **\$1299.99**

Part No. 649-RX125E

MFC ships separately from accessories. Shipping is calculated based on location and weight to a single destination. Additional charges will apply for lift gate, and residential delivery and expedited services. Free Freight polycys do not apply to MFC Pit Bikes.

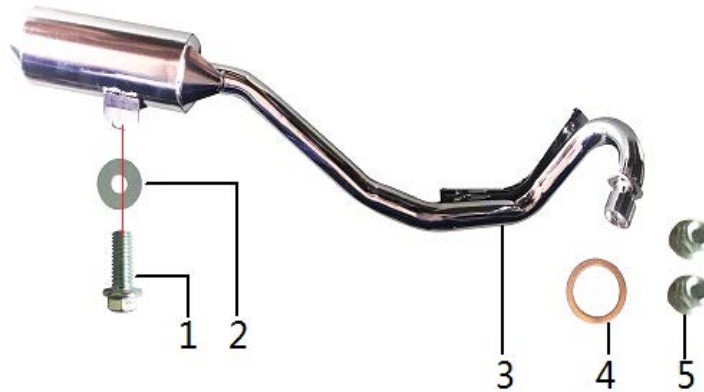


RX 125E Engine Assembly



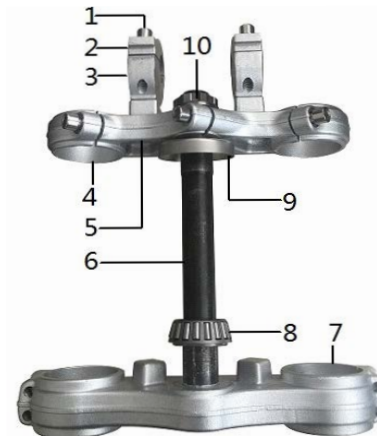
| | PART No. | PART DESC... | | RETAIL |
|----|-----------------|--|------|---------------|
| 1 | 05.01.02.06025D | HEX Flange Bolt. M6 x 25 | 2pcs | 2.96 |
| 2 | 06.17.0032 | FA-5Y Intake Pipe | 1pc | 18.24 |
| 3 | 06.17.0033 | Intake Seal | 1pc | 2.96 |
| 4 | 06.17.0034 | Intake Gasket | 2pcs | 2.96 |
| 5 | 06.27.0173 | Carbureter / PZ26 / JK | 1pc | 37.72 |
| 6 | 03.04.0278 | Air Filter Sponge Φ38/K3 | 1pc | 13.99 |
| 7 | 03.04.0082 | Clamp on Air Filter / Stainless Steel 27 x 51 x 10 | 1pc | 1.85 |
| 8 | 03.04.0418 | Air Filter Assembly / K3 / EPA | 1pc | 15.99 |
| 9 | 05.01.02.10115D | HEX Flange Bolt / M10 x 115 / White zinc-plated | 1pc | 12.00 |
| 10 | 05.01.02.10105D | HEX Flange Bolt / M10 x 105 / White zinc-plated | 1pc | 12.00 |
| 11 | 05.02.03.0104 | HEX Flange Retaining Nut / M10 / White zinc-plated | 2pcs | 2.96 |
| 12 | 05.02.03.0105 | Sprocket Cover | 1pc | 24.99 |
| 13 | 05.80.15.06027D | HEX Flange Bolt / M6 x 27 / White zinc-plated | 4pcs | 0.80 |
| 14 | 05.80.15.06020D | HEX Bolt M6 x 20 | 1pc | 0.80 |
| 15 | 06.52.0014 | Shift Lever (125CC) | 1pc | 15.20 |
| 16 | 06.02.0019 | Start Lever / QD-16 / 125/140/ k3 | 1pc | 29.99 |
| 17 | 06.17.0037 | Engine 125CC Hengsheng | 1pc | 584.64 |
| | 06.02.0020 | Stator for motor (Not shown) | 1pc | 44.97 |
| | 03.02.0021 | Starter for motor (Not shown) | 1pc | 44.23 |
| | 03.02.0022 | Engine gasket set (Not Shown) | 1pc | 15.20 |

Exhaust Pipe Assembly

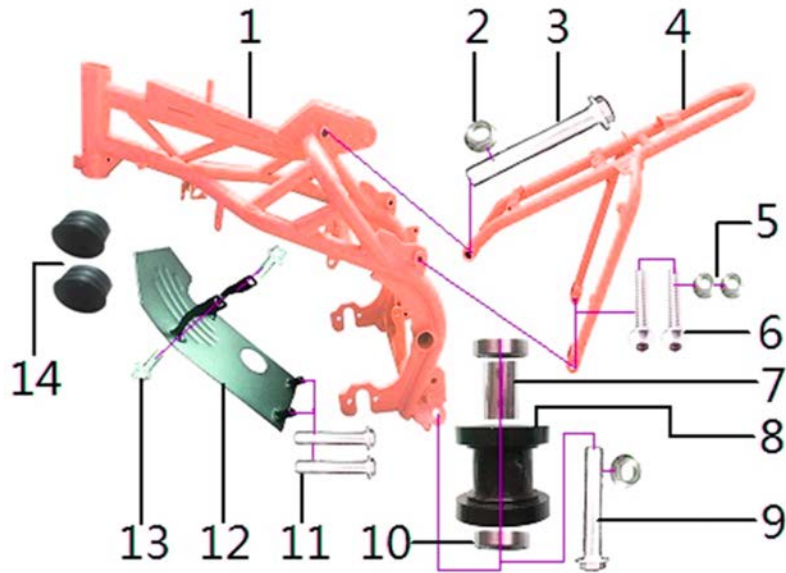


| | PART No. | PART DESC... | | RETAIL |
|---|-----------------|-------------------------------------|------|---------------|
| 1 | 05.01.02.08020B | HEX Flange Bolt / M8 x 20 | 1pc | 0.80 |
| 2 | 05.05.01.0103 | Flat Washers M8 x 18 | 1pc | 0.80 |
| 3 | 03.04.0386 | Exhaust Assembly / K3 / Black / EPA | 1pc | 107.51 |
| 4 | 03.04.0097 | Gasket, exhaust pipe / K3-01 | 1pc | 2.99 |
| 5 | 05.02.03.0102 | HEX Flange Retaining Nut / M6 | 2pcs | 1.20 |

Steering Column Assembly

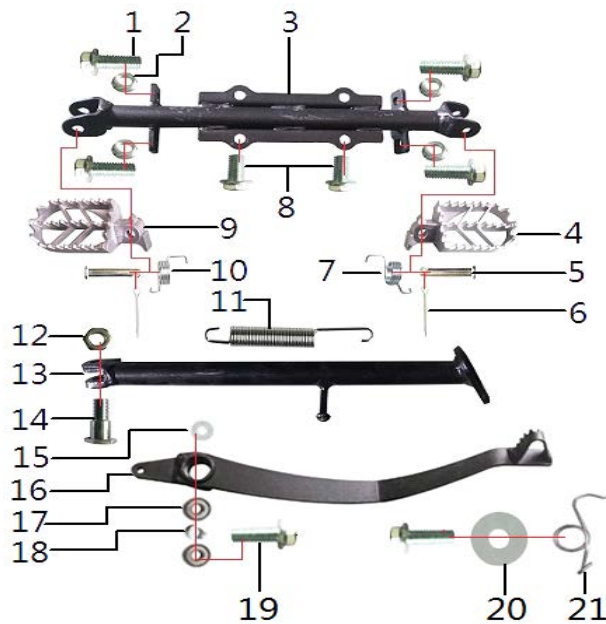


| | PART No. | PART DESC... | | RETAIL |
|----|-----------------|--|-------|---------------|
| 1 | 05.01.04.08030B | HEX Socket Cap Bolt / M8 x 30 / Stainless Steel | 11pcs | 2.40 |
| 2 | 03.04.0117 | Handle Bar Mounts(upside) / K3-01 | 2pcs | 7.35 |
| 3 | 03.04.0118 | Handle Bar Mounts(downside) / K3-01 | 2pcs | 9.10 |
| 4 | 03.04.0115 | Triple Clamp (Top) / K3-01 | 1pc | 52.24 |
| 5 | 05.01.04.10030H | HEX Socket Cap Screw / M10 x 30 x 1.5 / Black zinc-plated | 2pcs | 2.94 |
| 6 | 03.04.0023 | Steering Column / K3-01 | 1pc | 21.12 |
| 7 | 03.04.0116 | Triple Clamp (Bottom) / K3-01 | 1pc | 49.76 |
| 8 | 05.04.01.0001 | Tapered Roller Bearings (320-22) / 22mm x 44mm x 15mm | 2pcs | 13.63 |
| 9 | 03.04.0024 | Dust-proof Cover, Steering Column / K3-01 / 51mm x 20mm x 10mm | 1pc | 5.60 |
| 10 | 03.04.0071 | Retaining Nut, Clamp(Top) / K3-01 / Aluminum alloy / \varnothing 20*10*1MM | 1pc | 6.95 |



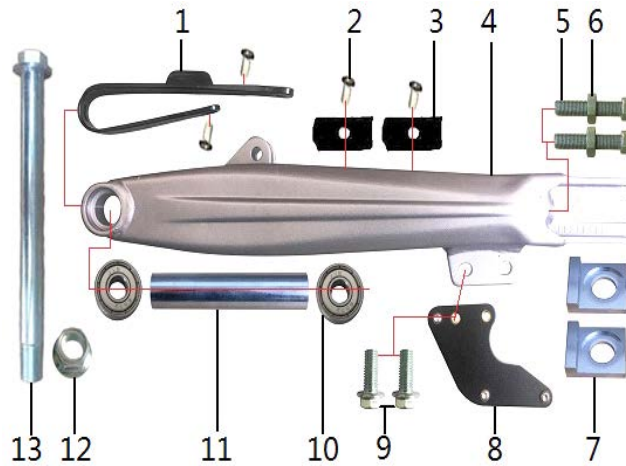
Frame Assembly

| | PART No. | PART DESC... | | RETAIL |
|----|-----------------|--|------|---------------|
| 1 | 03.04.0341 | Main Frame / K3-01 / Red | 1pc | 249.95 |
| 2 | 05.02.03.0104 | HEX Flange Retaining Nut / M10 / White zinc-plated | 2pcs | 1.20 |
| 3 | 05.01.02.10145D | HEX Flange Bolt / M10 x 145 / zinc-plated (upper sub frame bolt) | 1pc | 6.95 |
| 4 | 03.04.0342 | Sub-Frame / K3-01 / Rede | 1pc | 80.00 |
| 5 | 05.02.03.0103 | HEX Flange Retaining Nut / M8 / zinc-plated (lower sub frame) | 2pcs | 1.20 |
| 6 | 05.01.12.08045B | HEX Socket Cap Bolt / M8 x 45 | 2pcs | 5.60 |
| 7 | 03.04.0406 | Spacer, Chain Guide / 13 x 10 x 22.5mm | 1pc | 5.60 |
| 8 | 03.04.0016 | Chain Guide / K3-01 / Down / Black | 1pc | 5.60 |
| 9 | 05.01.02.10065D | HEX Flange Bolt / M10 x 65 / White zinc-plated (chain roller bolt) | 1pc | 5.60 |
| 10 | 05.04.03.0019 | Bearings (6900) / 22x 10 x 6 | 2pcs | 5.60 |
| 11 | 05.01.02.08040D | HEX Flange Bolt / M8 x 40 / White zinc-plated | 2pcs | 4.48 |
| 12 | 03.04.0264 | Engine protector / K3 / skid-plate | 1pc | 90.00 |
| 13 | 05.01.02.06016D | HEX Flange Bolt / M6 x 16MM | 2pcs | 1.20 |
| 14 | 03.03.0076 | Plug, Frame / K1-01 | 2pcs | 1.20 |



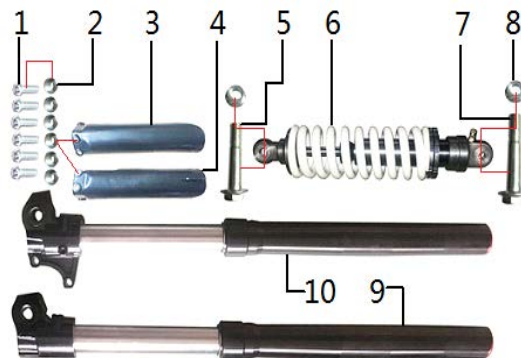
RX 125E Footpeg Assembly

| | PART NO. | PART DESC... | | RETAIL |
|----|-----------------|--|------|---------------|
| 1 | 05.01.02.08020D | HEX Flange Bolt / M8 x 20 / White zinc-plated | 4pcs | 2.40 |
| 2 | 05.02.03.0103 | HEX Flange Retaining Nut / M8 / White zinc-plated | 4pcs | 2.40 |
| 3 | 03.04.0022 | Main Bracket, Front Foot Pegs / K3-01 | 1pc | 99.80 |
| 4 | 03.06.0036 | Foot Peg Set - Right & Left side / w/springs and pins | 1pc | 42.66 |
| 5 | 03.03.0030 | Pin, Foot Pegs / K1-01 / White zinc-plated | 2pcs | 2.40 |
| 6 | 03.06.0034 | Cotter, foot pegs / K7-01 | 2pcs | 1.20 |
| 7 | 03.06.0040 | Spring,foot pegs / Right / K7-01 | 1pc | 2.40 |
| 8 | 05.01.02.08016D | HEX Flange Bolt / M8 x 16 / White zinc-plated | 2pcs | 2.40 |
| 10 | 03.06.0039 | Spring, foot pegs / Left / K7-01 | 1pc | 2.40 |
| 11 | 03.01.0032 | Spring, side stand / A7-01 | 1pc | 2.80 |
| 12 | 05.02.01.0103 | HEX Nut / M10 | 1pc | 2.40 |
| 13 | 03.04.0013 | Side Stand / K3-01 (kick stand) | 1pc | 29.80 |
| 14 | 05.80.08.10030D | Extended HEX Cap Bolt / White zinc-plated / M10 x 30 | 1pc | 2.40 |
| 15 | 05.05.01.0103 | Flat Washers 8M x 18 x 1.5 / White zinc-plated | 1pc | 1.20 (Re |
| 16 | 03.04.0428 | Brake Lever / K4-01 (Rear brake pedal) | 1pc | 28.74 |
| 17 | 05.04.03.0006 | Deep-groove Ball Bearings (608) / $\varnothing 8 \times \varnothing 22 \times 7$ | 2pcs | 2.40 |
| 18 | 03.11.0016 | Spacer, Brake Lever / K4-01 / $\varnothing 8.5 \times \varnothing 14 \times 10$ | 1pc | 2.40 |
| 19 | 05.01.02.08025D | HEX Flange Brake Pedal Bolt / M8 x 25 / White zinc-plated | 2pcs | 2.40 |
| 20 | 05.05.01.0112 | Flat Wahser / 27m x 8 x 1.5m / White zinc-plated | 1pc | 1.20 |
| 21 | 03.04.0011 | Spring, rear brake / K3-01 | 1pc | 2.40 |



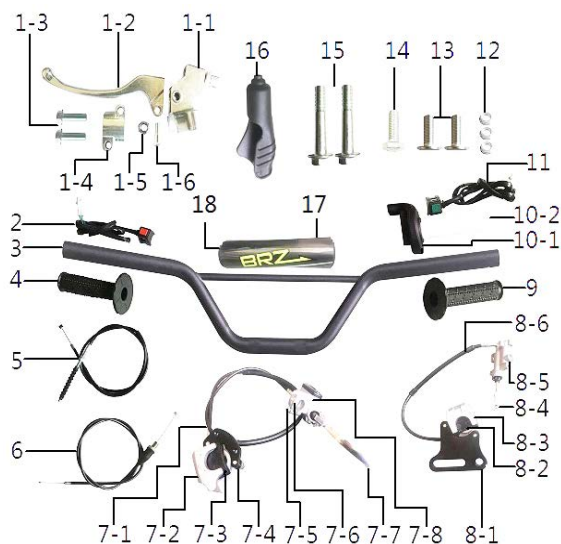
Swingarm Assembly

| | PART No. | PART DESC... | | RETAIL |
|----|-----------------|---|------|--------|
| 1 | 03.04.0056 | Front Chain Sliders | 1pc | 12.00 |
| 2 | 05.01.07.06012B | Screw, Cross Recessed Head / M6 x 12 / Stainless | 4pcs | 1.20 |
| 3 | 03.03.0012 | Hose, rear brake hose clamp / K1-01 / Black PP | 2pcs | 2.40 |
| 4 | 03.04.0120 | Rear Armswing / K3-01 / Steel | 1pc | 169.99 |
| 5 | 05.01.01.08050C | HEX Bolt / M8 x 50 / (Chain adjuster bolt) | 2pcs | 2.40 |
| 6 | 05.02.01.0002 | HEX Nut / M8 / (Chain adjuster nut) | 2pcs | 2.40 |
| 7 | 03.04.0072 | Chain adjustor block / K3-01 | 2pcs | 5.60 |
| 8 | 03.04.0010 | Rear Chain Guide / K3 / Black | 1pc | 20.96 |
| 9 | 05.01.02.08020B | HEX Flange Bolt for chain guide / M8 x 20 / Stainless Steel | 2pcs | 2.40 |
| 10 | 05.04.03.0014 | Deep-groove Ball Bearing set (2pcs) (6200-12) / 12x30x9 | 2pcs | 2.40 |
| 11 | 03.04.0329 | Center Swingarm Spacer / K3 / White zinc-plated / 13x18x162 | 1pc | 11.84 |
| 12 | 05.02.03.0105 | HEX Flange Swingarm bolt retaining Nut / M12 | 1pc | 5.76 |
| 13 | 05.01.02.12210D | HEX Flange Swingarm Bolt / M12 x 210 | 1pc | 14.49 |



Suspension Assembly

| | PART No. | PART DESC... | | RETAIL |
|----|-----------------|---|------|--------|
| 1 | 05.01.12.06016B | HEX Socket Cap Bolt / M6 x 16 / Stainless Steel | 6pcs | 1.20 |
| 2 | 03.04.0073 | Spacer, suspension protector / T type / 11x 6*4x 8*x 6*4 | 6pcs | 1.20 |
| 3 | 03.05.0036 | Front Fork Guard / Protector / K5 / RH / 270CM | 1pc | 16.40 |
| 4 | 03.05.0035 | Front Fork Gurad / Protector / K5 / LH / 270CM | 1pc | 16.40 |
| 5 | 05.01.02.10045D | HEX Flange Lower Shock Bolt / M10 x 45 / White zinc-plated | 1pc | 6.00 |
| 6 | 03.04.0098 | Rear Shock / 10x10x310 / Built-in airbag, non-adjustable | 1pc | 150.00 |
| 7 | 05.01.02.10050D | HEX Flange Upper Shock Bolt / M10x50 / White zinc-plated | 1pc | 6.00 |
| 8 | 05.02.03.0104 | HEX Flange Upper Shock Retaining Nut / M10 | 2pcs | 2.20 |
| 9 | 03.04.0461 | Front Fork Right Side / 45x48x735 / Upside-down, non-adjustable | 1pc | 125.00 |
| 10 | 03.04.0462 | Front Fork Left Side / 45x48x735 / Upside-down, non-adjustable | 1pc | 125.00 |



RX 125E Handlebar / Control Assembly

| | PART No. | PART DESC... | | RETAIL |
|--|----------|-----------------|--|-----------|
| | 1 | 03.04.0039 | Clutch Handle Assembly(without throttle) / K3-01 | 1pc 9.85 |
| | 1-1 | 06.08.0611 | Clamp(Bottom), Clutch Handle | 1pc 6.75 |
| | 1-2 | 06.08.0613 | Clutch Lever | 1pc 6.75 |
| | 1-3 | 06.08.0614 | Bolt / M6 x 25 | 2 1.20 |
| | 1-4 | 06.08.0611 | Clamp (Top), Clutch Handle | 1pc 2.20 |
| | 1-5 | 05.02.03.0101 | HEX Flange Retaining Nut / M5 / White zinc-plated | 1pc 2.20 |
| | 1-6 | 06.08.0615 | Fasten Bolt, clutch lever / M5 x 6 x 25 | 1pc 1.20 |
| | 2 | 06.31.0003 | Kill Switch | 1pc 17.50 |
| | 3 | 03.04.0070 | Handlebars / K3-01 / Steel / 22 x 720 | 1pc 35.40 |
| | 4 | 03.01.0367 | Handle Grip (Black) / Left Side | 1pc 6.75 |
| | 5 | 03.04.0251 | Clutch Cable / K3-01 / Travel 70mm | 1pc 10.99 |
| | 6 | 03.04.0059 | Throttle Cable / K3-01 / Travel 125MM | 1pc 9.99 |
| | 7 | 03.04.0050 | Front Brake Assembly / Caliper/Hose/Master Cyl/Lever / K3-01 | 1pc 58.40 |
| | 7-1 | 06.08.0610 | Front Brake Hose | 1pc 9.36 |
| | 7-2 | 06.08.0565 | Front Brake Caliper | 1pc 36.65 |
| | 7-3 | 06.08.0512 | Front Brake Disc Pads | 1pc 26.55 |
| | 7-4 | 06.08.0609 | Bracket, Front Brake | 1pc 9.36 |
| | 7-5 | 05.01.02.06020D | HEX Flange Bolt / M6 x 20 | 2pcs 1.36 |
| | 7-6 | 06.08.0570 | Clamp (top),brake handle | 1pc 3.52 |
| | 7-7 | 06.08.0561 | Brake Lever | 1pc 9.36 |
| | 7-8 | 06.08.0564 | Front Brake Master Cylinder | 1pc 31.96 |
| | 8 | 03.04.0009 | Rear Brake Assembly / Caliper/bracker/hose/ Master Cyl K3-01 | 1pc 45.90 |
| | 8-1 | 06.08.0567 | Bracket, rear brake | 1pc 25.47 |
| | 8-2 | 06.08.0511 | Rear Brake Disc Pads | 1pc 26.55 |
| | 8-3 | 06.08.0566 | Rear Brake Master Cylinder | 1pc 20.16 |
| | 8-4 | 05.04.05.0001 | Bearings | 1pc 3.52 |
| | 8-5 | 06.08.0572 | Rear Brake Caliper | 1pc 36.65 |
| | 8-6 | 06.08.0616 | Rear Brake Hose | 1pc 9.84 |
| | 9 | 03.01.0368 | Handle Sleeve / RH | 1pc 3.28 |
| | 10 | 03.04.0051 | Throttle Assembly / K3-01 | 1pc 19.50 |
| | 10-1 | 03.04.0469 | Thorttle Housing / Forged Aluminium / Black | 1pc 9.84 |
| | 10-2 | 03.04.0470 | Handle Core / White | 1pc 9.84 |
| | 11 | 06.31.0002 | Start Switch | 1pc 24.50 |
| | 12 | 05.02.03.0110 | HEX Flange Retaining Nut / M6 | 3pcs 1.20 |
| | 13 | 05.01.06.06020B | HEX Socket Flat Cap Screw / M6 x 20 / Stainless Steel | 2pcs 1.28 |
| | 14 | 05.01.01.06025B | HEX Cap Bolt / M6 x 25 / Stainless Steel | 1pc 1.28 |
| | 15 | 05.01.02.08030D | HEX Flange Bolt / M8 x 30 / White zinc-plated | 2pcs 3.28 |
| | 16 | 03.04.0078 | Sheath,clutch cable / K3-01 | 1pc 17.61 |
| | 17 | 03.04.0423 | Handlebar pad cover / K3 | 1pc 4.60 |
| | 18 | 03.04.0029 | Handlebar pad foam / K3-01 | 1pc 4.60 |



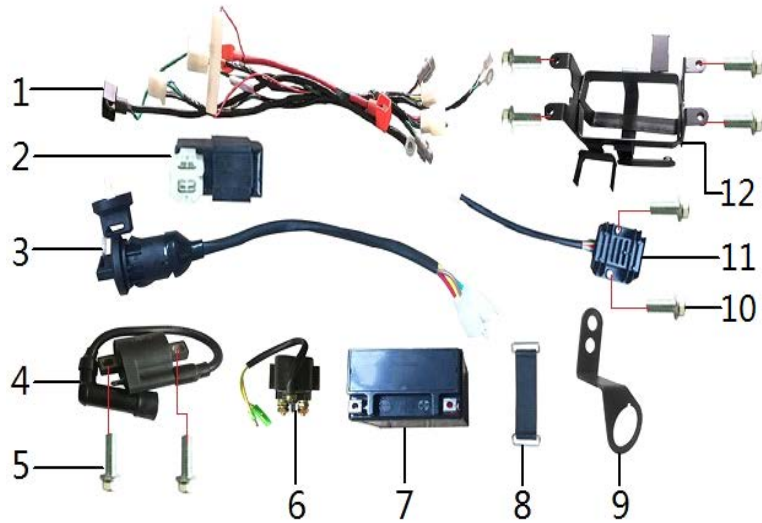
RX 125E Front Wheel Assembly

| | PART No. | PART DESC... | | RETAIL |
|-----|-----------------|---|-------|---------------|
| 1 | 03.04.0048 | Front Wheel Assembly / K3-01 1.60 x 14" | 1pc | 104.64 |
| 1-1 | 06.36.0061 | Front Rim (steel) 1.60 x 14 | 1pc | 51.30 |
| 1-2 | 06.18.0105 | Nipples set (spoke) 32pcs in set | 1pc | 38.52 |
| 1-3 | 06.18.0039 | Spokes | 32pcs | 1.20 |
| 1-4 | 06.19.0056 | Wheel Hub | 1pc | 40.64 |
| 2 | 06.42.0368 | Front Tire 60/100-14 | 1pc | 67.52 |
| 3 | 06.42.0370 | Inner Tube 60/100-14 | 1pc | 14.08 |
| 4 | 06.19.0039 | Spacer, Front Wheel / 21 x 17 x 53M | 1pc | 3.99 |
| 5 | 05.01.02.15215D | HEX Flange Axle Bolt / 15M x 215 / White zinc-plated | 1pc | 15.50 |
| 6 | 05.02.03.0106 | HEX Flange Axle Retaining Nut / M14 / White zinc-plated | 1pc | 4.99 |
| 7 | 05.04.03.0018 | Deep-groove Ball Bearings (6202) / 35 x 25 x 11 (2 PSC KIT) | 2pc | 4.99 |
| 8 | 05.80.05.0001D | Screw, Brake Disc / HEX Socket M8x16 / White zinc-plated | 4pcs | 1.60 |
| 9 | 06.08.0314 | Front Brake Disc / 220mm / AJ / K3 | 1pc | 26.55 |
| 10 | 03.04.0063 | Spacer, front wheel / LH / K3-01 25 x 15 x 25MM White zinc-plated | 1pc | 3.99 |
| 11 | 03.04.0064 | Spacer, front wheel / RH / K3-01 / 25x15 x 20MM White zinc-plated | 1pc | 3.99 |



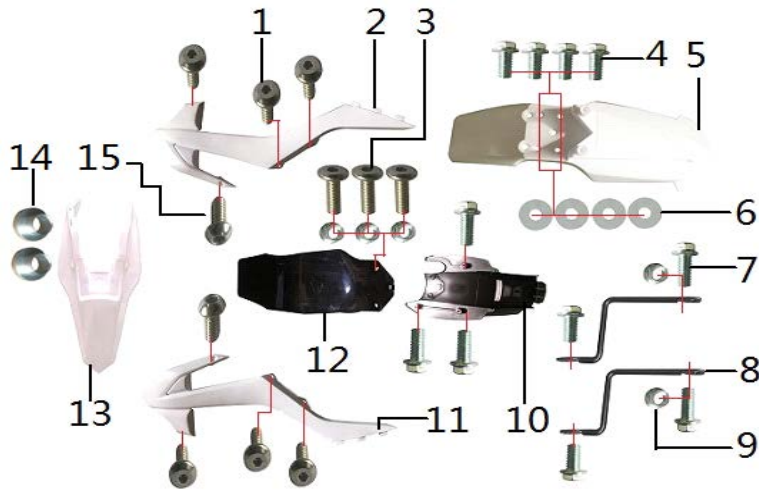
RX 125E Rear Wheel Assembly

| | PART No. | PART DESC... | | RETAIL |
|---------|-----------------|--|-------|---------------|
| 1 | 03.04.0049 | Rear Wheel Assembly / K3-01 1.85 x 12" | 1pc | 106.60 |
| 1-1 | 06.36.0062 | 1.85 x 12 Iron Rim | 1pc | 51.30 |
| 1-2/3/4 | 06.18.0026 | Spoke and Nipple Kit K3-125 | 1pc | 79.95 |
| 1-2 | 06.18.0105 | Nipples set (spoke) 32pcs in set | 1pc | 38.52 |
| 1-3 | 06.18.0040 | Spokes / Inner | 16pcs | 1.20 |
| 1-4 | 06.18.0041 | Spokes / Outer | 16pcs | 1.20 |
| 1-5 | 06.19.0057 | Wheel Hub | 1pc | 40.64 |
| 2 | 06.42.0306 | Rear tire 90 /100-12 | 1pc | 67.52 |
| 3 | 06.42.0371 | Inner Tube 90 /100-12 | 1pc | 14.08 |
| 4 | 06.35.0024 | Chain 428-110L | 1pc | 24.80 |
| 5 | 06.42.0311 | Rim Lock, inner tube / Green | 1pc | 4.99 |
| 6 | 05.05.01.0108 | Flat Washer 8M x 16 x 1.5 Stainless Steel | 1pc | 1.20 |
| 7 | 05.02.07.0001 | HEX Sprocket Bolt Nut / M8 | 1pc | 1.60 |
| 8 | 03.04.0330 | Lock Plate, rear sprocket / K3 | 1pc | 4.48 |
| 9 | 05.04.03.0018 | Deep-groove Ball Bearings (6202-2) / 35 x 25 x 11 | 2pc | 4.48 |
| 10 | 06.19.0040 | Spacer, rear wheel hub spacer / 21 x 17 x 83 | 1pc | 3.99 |
| 11 | 05.01.01.06025B | HEX Cap Sprocket Bolt / M8 x 25 / Stainless Steel | 4pcs | 1.60 |
| 12 | 03.04.0096 | Rear Steel Sprocket 428-41T | 1pc | 22.32 |
| 13 | 05.80.05.0001D | Screw, Brake Disc / HEX Socket M8 x 16 / zinc-plated | 4pcs | 1.60 |
| 14 | 06.08.0315 | Rear Brake Disc / 190mm / AJ / K3 | 1pc | 26.55 |
| 15 | 05.02.03.0106 | HEX Flange Axle Retaining Nut / M14 / White zinc-plated | 1pc | 7.84 |
| 16 | 05.01.02.15210D | HEX Flange Axle Bolt / 15 x 210 / White zinc-plated | 1pc | 19.15 |
| 17 | 03.04.0065 | Spacer, Rear wheel / Left K3-01 / 25x15x33MM / zinc-plated | 1pc | 3.99 |
| 18 | 03.04.0066 | Spacer, Rear wheel / Right/ K3-01 / 25x15x33MM / zinc-plated | 1pc | 3.99 |
| 19 | 06.42.0319 | Cushion, Inner tube lock | 1pc | 3.99 |



Electronic Parts

| | PART No. | PART DESC... | | RETAIL |
|----|-----------------|--|------|---------------|
| 1 | 03.04.0421 | Wire loom / Kick & E- Start / K3 / Emergency kill switch | 1pc | 88.11 |
| 2 | 03.04.0019 | CDI / K3 | 1pc | 16.99 |
| 3 | 06.13.0003 | Ignition Switch | 1pc | 30.19 |
| 4 | 06.14.0009 | Ignition Coil / CB | 1pc | 21.11 |
| 5 | 05.01.02.06016D | HEX Flange Bolt / M6 x 16 / White zinc-plated | 2pcs | 1.20 |
| 6 | 06.14.0007 | Relay / CB | 1pc | 21.11 |
| 7 | 06.12.0204 | Battery 12V 4A | 1pc | 46.03 |
| 8 | 03.01.0043 | Battery Belt / A7-01 | 1pc | 3.99 |
| 9 | 03.06.0312 | Bracket, Ignition Switch | 1pc | 18.01 |
| 10 | 05.01.02.06012D | HEX Flange Bolt / M6 x 12 / White zinc-plated | 6pcs | 1.20 |
| 11 | 06.14.0005 | Voltage Regulator | 1pc | 17.33 |
| 12 | 03.04.0018 | Battery Box / K3-01 | 1pc | 21.11 |



Body / Plastic Parts

| | PART No. | PART DESC... | | RETAIL |
|----|-----------------|---|------|---------------|
| 1 | 05.01.06.06010B | HEX Socket Flat Cap Screw / M6 x 10 / Stainless Steel | 6pcs | 1.20 |
| 2 | 03.04.0004 | Front Side Board / RH / K3 / | 1pc | 21.50 |
| 3 | 05.01.06.06016B | HEX Socket Flat Cap Screw / M6 x 16 / Stainless Steel | 3pcs | 1.20 |
| 4 | 05.01.02.06012D | HEX Flange Bolt / M6 x 12 / White zinc-plated | 6pcs | 1.20 |
| 5 | 03.04.0002 | Front Fender / K3 / KTM65 White | 1pc | 15.99 |
| 6 | 05.05.01.0102 | Flat Washer / 6x16 | 4pcs | 1.20 |
| 7 | 05.01.02.06016D | HEX Flange Bolt / M6 x 16 / White zinc-plated | 5pcs | 1.20 |
| 8 | 03.04.0062 | Bracket, Front L & R Protector / K3-01 | 2pcs | 5.12 |
| 9 | 05.02.03.0102 | HEX Flange Retaining Nut / M6 | 5pcs | 1.20 |
| 10 | 03.04.0006 | Rear Inner Fender / K3 / KTM65 / Black | 1pc | 13.74 |
| 11 | 03.04.0003 | Front Side Board / LH / K3 | 1pc | 21.50 |
| 12 | 03.04.0007 | Fender / K3 / Black | 1pc | 14.20 |
| 13 | 03.04.0005 | Rear Fender / K3 / KTM65 White | 1pc | 20.00 |
| 14 | 03.07.0060 | Spacer, rear rack / 16 x 2 x 8MM 11 x 5 x 8MM T type | 2pcs | 1.77 |
| 15 | 05.01.12.06010B | HEX Socket Cap Bolt / M6x10 / Stainless Steel | 2pcs | 1.20 |



Fuel Tank Assembly

| | PART No. | PART DESC... | | RETAIL |
|----|-----------------|--|------|---------------|
| 1 | 03.04.0001 | Front Number Plate / K3 / KTM65 White | 1pc | 14.08 |
| 2 | 05.01.02.06012D | HEX Flange Bolt / M6x12 / White zinc-plated | 1pc | 1.20 |
| 3 | 03.04.0081 | Fuel Tank Cap / K3-01 / KTM65 | 1pc | 13.60 |
| 4 | 03.04.0452 | Fuel Tank / K3 / KTM65 | 1pc | 64.95 |
| 5 | 05.01.08.06030D | Screw, Cross Recessed Head / M6x30 / White zinc-plated | 1pc | 2.00 |
| 6 | 03.04.0085 | Spacer, Seat / K3-01 | 1pc | 1.20 |
| 7 | 06.54.0004 | Fuel Filter-C Model | 2pcs | 3.50 |
| 8 | 03.05.0185 | Fuel Switch / K5 | 1pc | 16.20 |
| 9 | 05.01.04.06010B | HEX Socket Cap Screw / M6x10 / Stainless Steel | 1pc | 2.00 |
| 10 | 05.02.03.0103 | HEX Flange Retaining Nut / M8 | 1pc | 2.00 |
| 11 | 05.05.01.0104 | Flat washer / 8m x 24 / White zinc-plated | 1pc | 1.20 |
| 12 | 03.04.0086 | Seat / K3-01 / KTM65 | 1pc | 84.55 |
| 13 | 06.45.0006 | Air tube | 1pc | 3.50 |
| 14 | 06.54.0008 | Outlet Oil Hose / EPA | 1pc | 16.20 |



MFC RX125E Stickers

| | PART No. | PART DESC... | | RETAIL |
|---|-----------------|------------------------|-----|---------------|
| 1 | 03.04.0422 | Stickers / K3 | 1pc | 71.20 |
| 2 | 06.70.0112 | Warning Stickers / EPA | 1pc | 20.80 |

2023 MFC RX 125E



MFC Machines Limited Warranty Guide

MFC is committed to our customers. In the unlikely event that a problem arises with your MFC Dirt Bike, please reference the warranty information detailed below.

LIMITED WARRANTY COVERAGE

All New MFC Motorcycles:

- 30 Day Limited Engine / Transmission Warranty (Parts Only)
- 30 Day Limited Vehicle Warranty (Parts Only)

Unavoidable natural disasters, fire, collision, theft, improper storage or transportation, negligence of the periodic maintenance, improper use, repair, adjustment or maintenance, unauthorized modification made to the product, operation of the vehicle when it is overheating, or installing performance parts or components on the vehicle that change the original engineering. The Limited Warranty does not cover damage caused by, or resulting from, any other reason besides a manufacturer's defect.

WARRANTY TERMS AND CONDITIONS

The Limited Warranty starts from the date of purchase of the new dirt bike product by the customer. MFC will cover PARTS ONLY. MFC does not cover the labor required to remove or repair the vehicle or part for warranty repair or replacement.

Purchasing A Vehicle In The Crate Without Setup By A MFC Authorized Dealer Voids The Limited Warranty.

Limited Warranty Is Not Transferable And Is Valid For The Original Purchaser Only.

Magnum Distributing
2225 Dixie Hwy
Waterford, MI. 48328
800.783.5859

MFC

Magnum Distributing
2225 Dixie Hwy
Waterford, MI. 48328
800.783.5859