



It all starts here.



**SPECIFICATIONS: 2023 RX 110E (K1)**

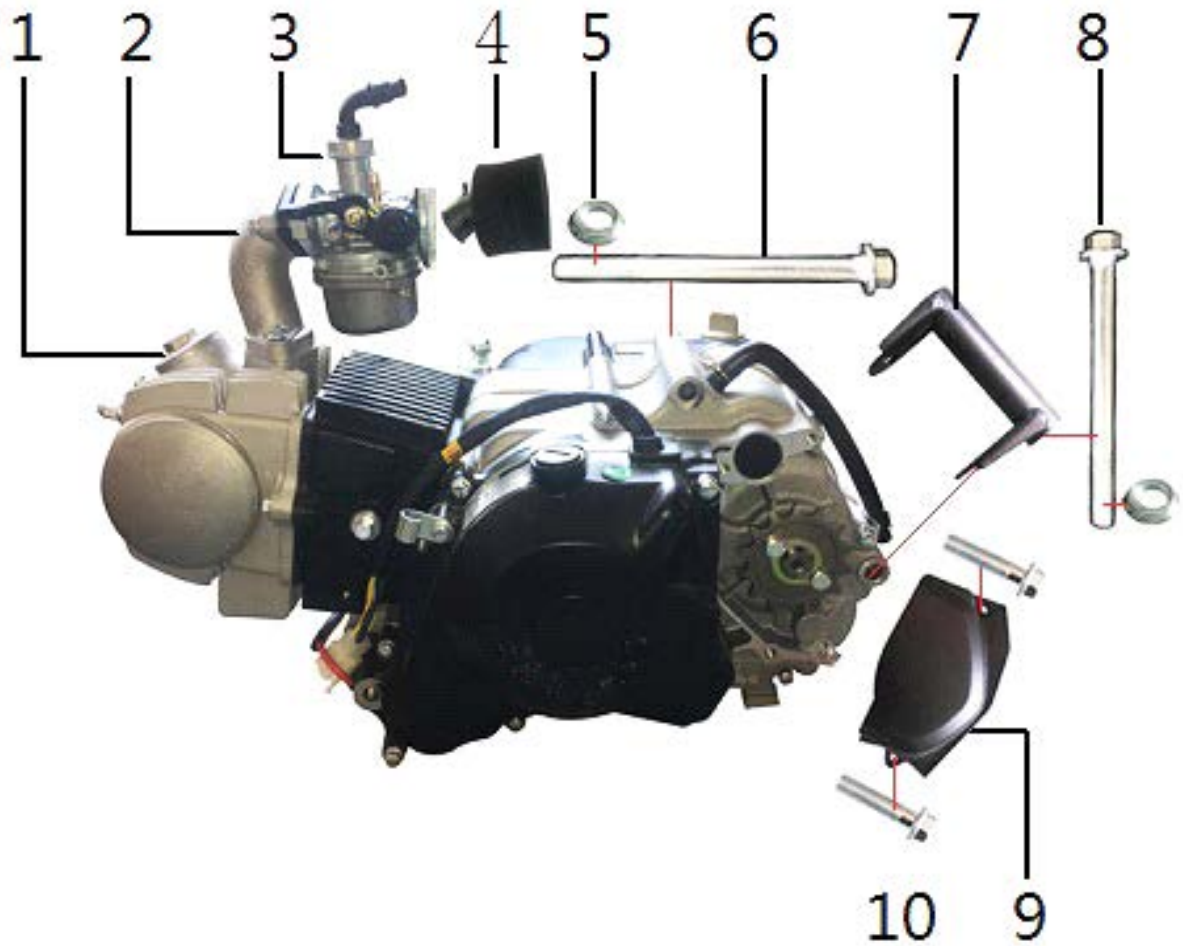
Engine	110cc Single Cylinder, 4-Stroke, Air-Cooled
Displacement	107.0
Bore x Stroke	54.4 mm x 49.5 mm
Compression	9.1:1
Shift Type	Automatic clutch, single gear
Start Type	Electric
Ignition	CDI
Drive Train	14/39 with a #420 Chain
Front Fork	Inverted Hydraulic Forks
Rear Shock	None-Adjustable Shock
Front Wheel	1.40 x 12 Steel Rims
Rear Wheel	1.60 x 10 Steel Rim
Brakes	190mm Disc, Front & Rear
Packing Size	1405 x 380 x 675 / 55.31" x 15.00" x 26.59"
Seat Height	24.4" (620 mm)
Ground Clearance	8.26" (210 mm)
Fuel Capacity	.58 Gallons (2.2 L)
N.W	115.75lbs (52.5KG)
G.W	131.17lbs (59.5KG)
Color	Red / White / Black
Sug Retail	<b>\$1099.99</b>

**Part no. 649-RX110E**

*MFC ships separately from accessories. Shipping is calculated based on location and weight to a single destination. Additional charges will apply for lift gate, and residential delivery and expedited services. Free Freight policies do not apply to MFC Pit Bikes.*



# Engine Assembly • 2023 RX110E (K-1)



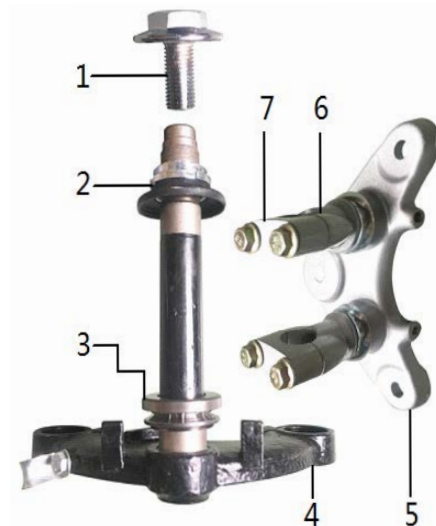
	<b>PART No.</b>	<b>PART DESC...</b>		<b>RETAIL</b>
1	06.17.0033	Hengsheng Engine 110cc E-Start,full automatic	1pc	349.95
2	06.17.0020	FA59-2 Intake Pipe	1pc	18.24
3	06.27.0172	Carburetor / EPA	1pc	32.79
4	03.04.0418	Air Filter Assembly / K3 / EPA	1pc	15.99
5	05.02.03.0104	HEX Flange Retaining Nut / M10 / White zinc-plated	2pcs	2.96
6	05.01.02.10110D	HEX Flange Bolt / M10 x 110 / White-zince-plated	1pc	12.00
7	03.03.0018	Rear bracket, Engine / K1-02	1pc	29.99
8	05.01.02.10100D	HEX Flange Bolt / M10*100 / White-zince-plated	1pc	12.00
9	06.17.0013	Front Sprocket Cover, Engine	1pc	20.98
10	05.80.15.06027D	HEX Flange Bolt / M6 X 27 / White Zinc-plated	2pcs	0.80
•	06.17.0033E	Hengsheng Engine 110cc Full Gasket Kit	1pc	26.98

## Exhaust Pipe Assembly • 2023 RX110E (K-1)



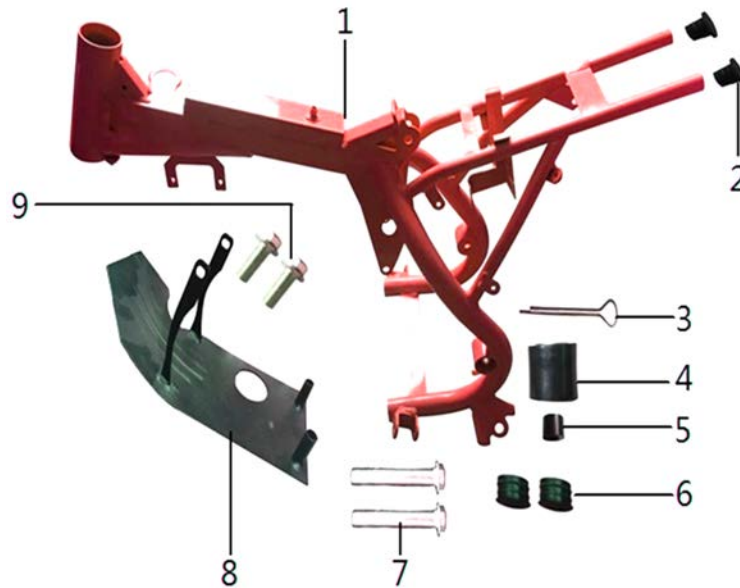
	<b>PART No.</b>	<b>PART DESC...</b>		<b>RETAIL</b>
1	03.03.0314	Exhaust Pipe / K1-02 / EPA	1pc	95.80
2	05.02.03.0102	HEX Flange Retaining Nut / M6	3pcs	1.20
3	03.04.0097	Gasket, Exhaust pipe / K3-01 / 8x 18x 1.5 / White Zinc-plated	1pc	2.99
4	05.05.01.0102	Flat Washer / 6*16x1.0	1pc	1.20
5	05.01.02.06012D	HEX Flange Bolt / M6x12 / White zinc-plated	1pc	0.80

## Steering Column Assembly • 2023 RX110E (K-1)

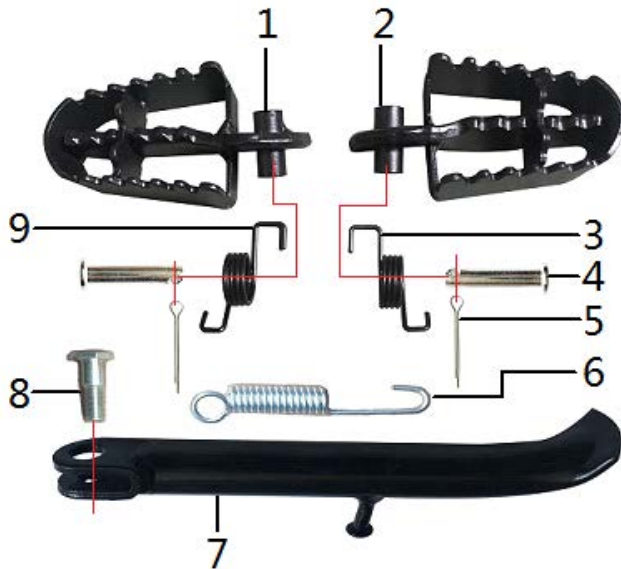


	<b>PART No.</b>	<b>PART DESC...</b>		<b>RETAIL</b>
1	03.03.0278	Fasten Bolt, front fork holder / K1 / M10 x 25 x 1.5	1pc	2.40
2	03.03.0020	Dust-proof Cover, steering column / K1-01 / 52 x 27 x 12MM	1pc	4.16
3	05.04.06.0001	Steering Column installing Kit / 24 x 41 x 13	1pc	2.73
4	03.03.0034	Triple Clamp(Bottom) / K1-01	1pc	46.08
5	03.03.0033	Triple Clamp(Top) / 10 x 150MM Aluminium Alloy Silver Coating	1pc	47.68
6	03.03.0036	Bar Mounts(downside) / K1-01 / Aluminium alloy silver 22MM	2pcs	9.28
7	03.03.0035	Bar Mounts(upside) / K1-01 / Aluminium alloy silver 22MM	2pcs	9.28

## Frame Assembly • 2023 RX110E (K-1)

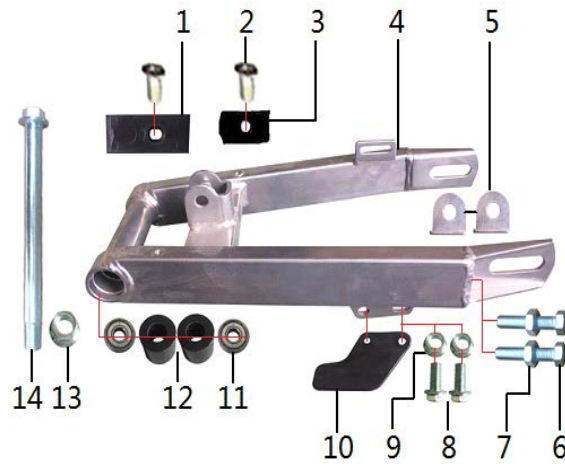


	<b>PART No.</b>	<b>PART DESC...</b>		<b>RETAIL</b>
1	03.03.0118	Main Frame / K1-02 / 12' / MAGA red	1pc	249.95
2	03.03.0075	Plug, rear frame / K1-01 / M13	2pc	1.20
3	05.06.01.0101	Split Pin / $\varnothing$ 2*30	1pc	0.65
4	03.01.0019	Chain Guide - roller / Upper / A7-01 / Black	1pc	5.60
5	06.39.0008	Spacer 9*x15 x 5	1pc	3.00
6	03.03.0076	Plug, frame / K1-01 / Black Rubber	2pcs	1.20
7	05.01.02.08035D	HEX Flange Bolt / M8x35 / White zinc-plated	2pcs	2.56
8	03.04.0264	Engine Protector / K3 / Black coating	1pc	90.00
9	05.01.02.06016D	HEX Flange Bolt / M6x16	2pcs	1.20



## Footpeg Assembly • 2023 RX110E (K-1)

	<b>PART NO.</b>	<b>PART DESC...</b>		<b>RETAIL</b>
1	03.03.0029	Foot Pegs / LH/ K1-01 Black coating	1pc	19.60
2	03.03.0089	Foot Pegs / RH/ K1-01 Black coating	1pc	19.60
3	03.03.0091	Spring, foot pegs / K1-01 RH	1pc	2.40
4	03.03.0030	Plug, foot pegs / K1-01 / 42.5mm / White zinc-plated	2pcs	2.40
5	05.06.01.0101	Split Pin / $\varnothing$ 2x30 / White Zinc-plated	2pcs	1.50
6	03.03.0015	Spring, side stand / K1-01	1pc	2.80
7	03.03.0092	Side Stand / K1-02 / Iron / L:22x225MM / Black Coating	1pc	26.40
8	05.01.14.10025D	HEX Cap Bolt / M10x12 / White Zinc-plated	1pc	2.40
9	03.03.0090	Spring, foot pegs / K1-01 LH	1pc	2.40



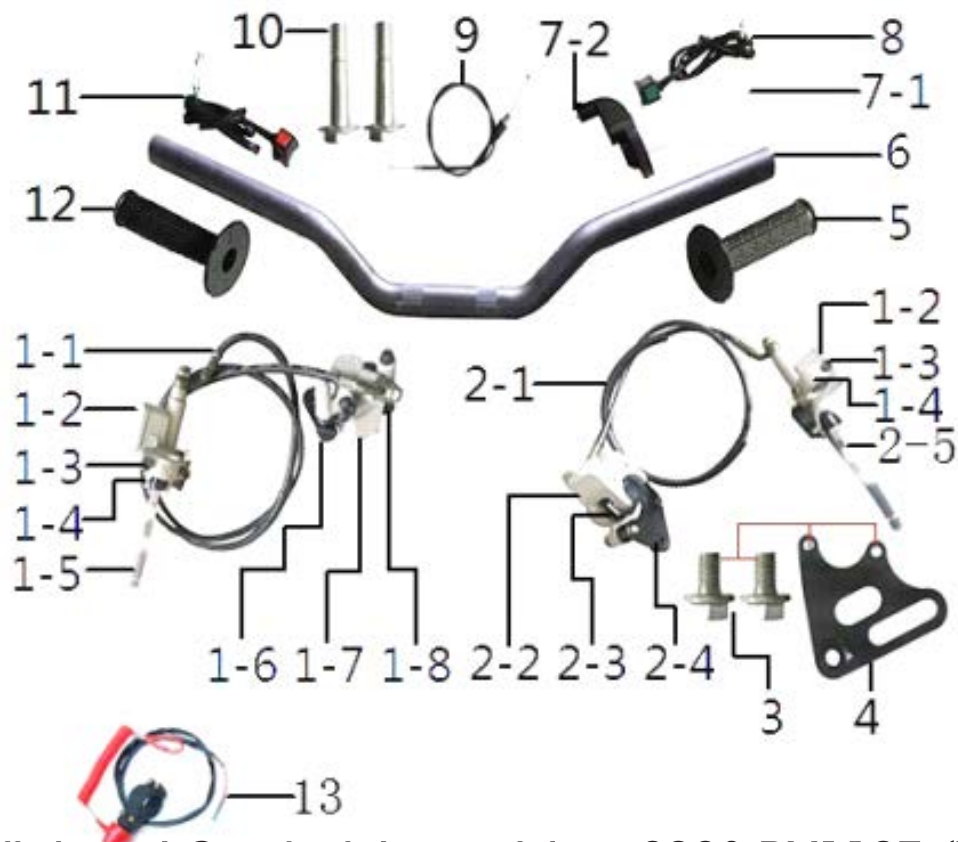
## Swingarm Assembly • 2023 RX110E (K-1)

	PART No.	PART DESC...		RETAIL
2	05.01.07.06012B	Screw, Cross Recessed Head / M6x12	2pcs	1.20
3	03.03.0012	Rear Brake Oil hose Holder / K1-01 / Black	1pc	2.40
4	03.03.0204	Rear Swingarm / K1-02 / 12' / Silver color	1pc	99.52
5	03.03.0070	Chain adjustor / K1 / $\varnothing$ 12	2pcs	2.40
6	05.01.01.08040D	HEX Cap Bolt / M8x40 / White zinc-plated	2pcs	2.40
7	05.02.01.0102	HEX Nut / M8 /White zinc-plated	2pcs	1.20
8	05.01.02.06012D	HEX Flange Bolt / M6x16 / White zinc-plated	2pcs	1.20
9	05.02.03.0102	HEX Flange Retaining Nut / M6 / White Zinc-plated	2pcs	1.20
10	03.03.0016	Nylon Chain Guide / K1-01 Black	1pc	19.52
11	05.04.03.0005	Bearings(6000) / 10x26x8	2pcs	4.72
12	03.03.0069	Spacer / K1-02 / 20x10x20	2pcs	2.40
13	05.02.03.0105	HEX Flange Retaining Nut / M12 / White Zinc-plated	1pc	4.72
14	05.01.02.10200D	HEX Flange Bolt / M10x200 / White zinc-plated	1pc	13.68



## Suspension Assembly • 2023 RX110E (K-1)

	PART No.	PART DESC...		RETAIL
1	03.03.0064	Front Fork / RH / 27*550mm / K1-02 / 10'	1pc	88.00
2	03.03.0063	Front Fork / LH / 27*550mm / K1-02 / 10' / Caliper side	1pc	88.00
3	05.02.03.0104	HEX Flange Retaining Nut / M10 / White zinc-plated	2pcs	2.20
4	05.01.02.10040D	HEX Flange Bolt / M10*40	2pcs	6.00
5	03.03.0025	Rear Suspension / K1-02 / 12x270 / Hydraulic / White Spring	1pc	61.12
6	03.03.0078	Plastic Hoop $\varnothing$ 34mm / Black	1pc	3.52
7	03.03.0104	Front Fork Guard /RH	1pc	5.76
8	03.03.0103	Front Fork Guard /LH	1pc	5.76



## Handlebar / Control Assembly • 2023 RX110E (K-1)

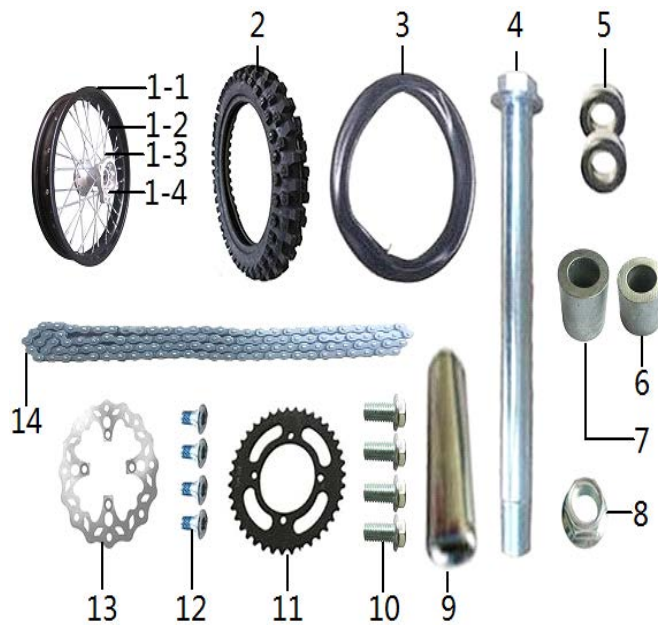
	PART No.	PART DESC...		RETAIL
1	03.03.0105	Front Brake Assembly Master Cylinder /Calipe/hose/lever	1pc	58.40
1-1	06.08.0603	Front Brake Hose / 800MM	1pc	25.28
1-2	06.08.0586	Handlebar master cylinder, front brake	1pcs	28.40
1-3	05.01.04.05016C	HEX Socket Cap Bolt / M5x16	4pcs	0.40
1-4	06.08.0604	Brake Lever Mounts(Upside)	2pcs	2.40
1-5	06.08.0530	Front Brake Lever	1pcs	8.80
1-6	06.08.0605	Front Brake Bracket	1pc	29.13
1-7	06.08.0606	Front brake caliper / Lower	1pc	12.27
1-8	06.08.0588	Front Brake Disc pads	1pc	15.87
2	03.03.0011	Rear Brake Master Cylinder / K1-02	1pc	61.02
2-1	06.08.0607	Rear Brake Hose / 1200mm	1pc	22.80
2-2	06.08.0600	Rear lower brake caliper, rear brake	1pc	29.13
2-3	06.08.0589	Rear Brake pads	1pc	15.87
2-4	06.08.0608	Bracket,rear brake	1pc	15.87
2-5	06.08.0543	Rear Brake Lever	1pc	8.80
3	05.01.02.08012C	HEX Flange Bolt / M8x12 / Dark Green	2pcs	1.20
4	03.03.0109	Connecting Board, rear disc brake bump / K1-02	1pc	15.87
5	03.01.0368	Handle Bar grip / RH / 115mm	1pc	5.04
6	03.03.0185	Handle Bar / K1-01	1pc	33.98
7	03.03.0230	Twist Throttle Assembly / K1-02 / Speed limit	1pc	19.50
7-1	03.03.0276	Throttle tube / K1 / White Plastic	1pc	9.84
7-2	03.03.0277	Throttle Housing / K1	1pc	9.60
8	06.31.0002	Start Switch / 720mm	1pc	5.76
9	03.03.0362	Throttle Cable / K1-02	1pc	8.16
10	05.01.02.08030D	HEX Flange Bolt / M8x30	2pcs	3.28
11	06.31.0003	Kill Switch / 720mm	1pc	13.44
12	03.01.0367	Handle Bar grip / LH / $\phi$ 21/长115mm	1pc	5.04
13	06.31.0009	Emergency Kill Switch / K1	1pc	11.52



## Front Wheel Assembly • 2023 RX110E (K-1)

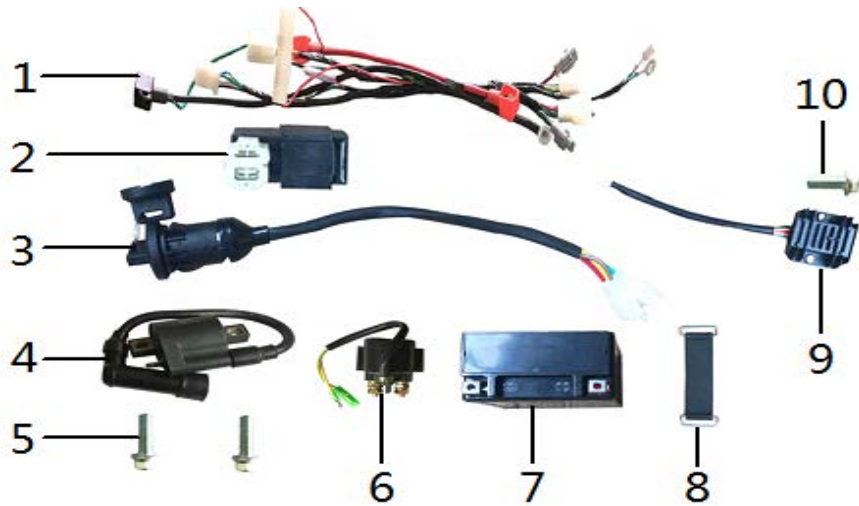
	PART No.	PART DESC...		RETAIL
1	03.03.0268	Front Wheel Assembly / K1-02 1.40 x12	1pc	85.44
1-1	06.36.0040	Front rim (steel) 1.40x12	1pc	46.08
•	06.18.0133	Spoke and Nipple Set (12" fronts)	1pc	79.95
1-2	06.18.0105	Nipples, Spokes	32pcs	1.60
1-3	06.18.0036	Spokes	32pcs	1.20
1-4	06.19.0054	Whee Hub	1pc	40.64
2	06.42.0362	Front Tire / 2.5-12	1pc	59.52
3	06.42.0372	Inner Tube / 2.5-12	1pc	11.60
4	06.19.0025	Spacer, front wheel hub / 18x14x52	1pc	3.99
5	05.01.02.12195D	HEX Flange Axle Bolt / M12x195 / White zinc-plated	1pc	14.22
6	05.02.03.0105	HEX Flange Retaining Nut / M12 / White Zinc-plated	1pc	4.99
7	05.04.03.0011	Bearings Ser (2pcs) (6301RS) 37x12x12	2pcs	5.95
8	05.80.05.0001D	Screw, Brake Disc white zinc-plated / HEX socket M8x16	4pcs	1.60
9	06.08.0311	Front Brake Disc / K1-02 / AJ	1pc	26.55
10	03.03.0054	Spacer, front wheel / RH / K1-01 / $\varnothing$ 20x12x22MM white zinc-plated	1pc	3.36
11	03.03.0022	Spacer, front wheel / LH / K1-02 / $\varnothing$ 19x12x20MM white zinc-plated	1pc	3.36





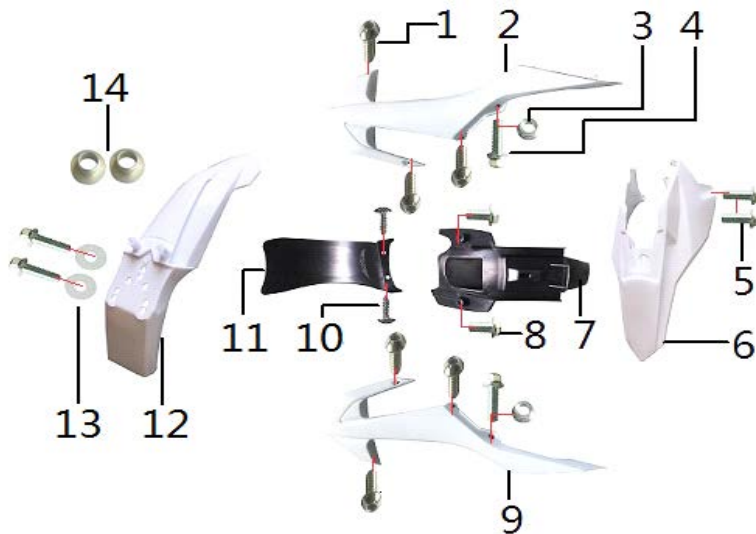
## Rear Wheel Assembly • 2023 RX110E (K-1)

	<b>PART No.</b>	<b>PART DESC...</b>		<b>RETAIL</b>
1-1	03.03.0269	Rear wheel assembly / K1 1.60 x 10	1pc	75.36
1-2	06.18.0105	Spoke nipples	32pcs	1.60
1-3	06.18.0037/38	Spokes	32pcs	1.20
1-4	06.19.0055	Wheel Hub	1pc	39.04
2	06.42.0362	MX Tire / 2.5-10	1pc	35.84
3	06.42.0372	Inner Tube / 2.5-10	1pc	10.48
4	05.01.02.12205D	HEX Flange Axle Bolt / M12x205 / White zinc-plated	1pc	14.27
5	05.04.03.0011	Bearings (6301RS) 37x12x12	2pcs	5.95
6	03.03.0058	Spacer, rear wheel / RH / K1-02 / 19×x12×27 / White zinc-plated	1pc	3.55
7	03.03.0057	Spacer, rear wheel / LH / K1-02 / 19×12×27 / White zinc-plated	1pc	3.55
8	05.02.03.0105	HEX Flange Retaining Nut / M12 / White Zinc-plated	1pc	4.99
9	06.19.0026	Spacer, rear wheel 18X14X83	1pc	5.15
10	05.01.02.08025D	HEX Flange Bolt / M8x25	4pcs	2.40
11	03.03.0026	Rear Sprocket 39T	1pc	22.32
12	05.80.05.0001D	Screw, Brake Disc white zinc-plated / HEX socket M8x16	4pcs	2.40
13	06.08.0311	Brake Disc / K1-02 / AJ	1pc	26.55
14	06.35.0011	Chain 420-90L	1pc	23.04



## Electronic Parts • 2023 RX110E (K-1)

	<b>PART No.</b>	<b>PART DESC...</b>		<b>RETAIL</b>
1	03.03.0021	Main Wiring Harness / Full E-start / K1 / Emergency Kill Switch Port	1pc	66.24
2	03.04.0019	Ignition CDI / K3	1pc	16.99
3	06.13.0001	Ignition Switch	1pc	30.19
4	06.14.0009	Ignition Coil / CB	1pc	21.11
5	05.01.02.06016D	HEX Flange Bolt / M6x16 / White zinc-plated	2pcs	1.20
6	06.14.0007	Relay / CB	1pc	21.11
7	06.12.0204	Battery 12V 4A	1pc	46.03
8	03.03.0017	Battery Belt / K1-01	1pc	3.99
9	06.14.0005	Voltage regulator	1pc	7.20
10	05.01.02.06012D	HEX Flange Bolt / M6x12 / white zinc-plated	1pc	1.20



## Body / Plastic Parts • 2023 RX110E (K-1)

	<b>PART No.</b>	<b>PART DESC...</b>		<b>RETAIL</b>
1	05.01.12.06010B	HEX Socket Cap Bolt / M6*10	6pcs	1.20
2	03.03.0004	Rad Cover/Side Panel / RH / K1-01	1pc	16.35
3	05.02.03.0102	HEX Flange Retaining Nut / M6 / White Zinc-plated	2pcs	1.20
4	05.01.02.06016D	HEX Flange Bolt / M6x16	4pcs	1.20
5	05.01.02.06012D	HEX Flange Bolt / M6x12 / White zinc-plated	2pcs	1.20
6	03.03.0005	Rear Fender / K1-01 / KTM50 White PP	1pc	18.94
7	03.03.0006	Rear airbox guard, rear frame / K1-01 / Black PP	1pc	5.20
8	05.01.02.06010D	HEX Flange Bolt / M6x8	2pcs	1.20
9	03.03.0003	Rad Cover/Side Panel/ LH / K1-01 / White PP	1pc	16.35
10	05.01.11.0012D	Self-Drilling Screws, Cross Pan Head / T4.8X13 / Dark Black	2pcs	1.20
11	03.03.0007	Mud Flap Inner Fender / K1-01 / Black PP	1pc	16.35
12	03.03.0001	Front Fender / K1 / White PP	1pc	20.08
13	05.05.01.0102	Flat Washers / 6*x16x1	4pcs	1.20
14	03.03.0074	Spacer, rear L&R side board / K1-01 / 16*2*8MM 11*5*8MM	2pcs	1.77



## Fuel Tank Assembly • 2023 RX110E (K-1)

	PART No.	PART DESC...		RETAIL
1	03.03.0002	Front Number Plate / K1-01 / White PP	1pc	14.08
2	05.01.02.06012D	HEX Flange Bolt / M6x12 / White Zinc-plated	3pcs	1.20
3	03.03.0083	Fuel Tank Cap / K1, S3 / Black PP	1pc	13.30
4	03.03.0355	Fuel Tank / Black PE	1pc	58.99
5	05.01.08.06030D	Screws,Cross Pan Head / M6x30 / White Zinc-plated	1pc	2.00
6	03.03.0080	Spring, Oil Hose / K1-01 / 12x10x105 / Black	1pc	7.20
7	06.45.0006	Fuel Filter	1pc	3.50
8	06.54.0008	Outlet Hose / EPA	1pc	16.20
9	06.54.0004	Fuel Filter	2pcs	3.50
10	03.03.0084	T shape Hose / TY6	1pc	1.36
11	03.03.0088	Seat / K1-01 / Black anti-slip	1pc	71.60
12	05.05.01.0103	Flat Washer	1pc	1.20
13	05.02.03.0103	HEX Flange Retaining Nut / M8	1pc	2.00
14	03.03.0023	Bracket, front number plate / K1-01	1pc	3.50



## Stickers • 2023 RX110E (K-1)

	PART No.	PART DESC...		RETAIL
1	03.03.0333	Full bike Sticker kit / 2023 / K1	1pc	64.80
4	06.70.0111	Warning Stickers / EPA Specialized	1pc	20.80

# 2023 MFC RX 110E



## MFC Machines Limited Warranty Guide

MFC is committed to our customers. In the unlikely event that a problem arises with your MFC Dirt Bike, please reference the warranty information detailed below.

### LIMITED WARRANTY COVERAGE

#### All New MFC Motorcycles:

- 30 Day Limited Engine / Transmission Warranty (Parts Only)
- 30 Day Limited Vehicle Warranty (Parts Only)

Unavoidable natural disasters, fire, collision, theft, improper storage or transportation, negligence of the periodic maintenance, improper use, repair, adjustment or maintenance, unauthorized modification made to the product, operation of the vehicle when it is overheating, or installing performance parts or components on the vehicle that change the original engineering. The Limited Warranty does not cover damage caused by, or resulting from, any other reason besides a manufacturer's defect.

### WARRANTY TERMS AND CONDITIONS

The Limited Warranty starts from the date of purchase of the new dirt bike product by the customer. MFC will cover PARTS ONLY. MFC does not cover the labor required to remove or repair the vehicle or part for warranty repair or replacement.

Purchasing A Vehicle In The Crate Without Setup By A MFC Authorized Dealer Voids The Limited Warranty.

Limited Warranty Is Not Transferable And Is Valid For The Original Purchaser Only.

Magnum Distributing  
2225 Dixie Hwy  
Waterford, MI. 48328  
800.783.5859

# MFC

Magnum Distributing  
2225 Dixie Hwy  
Waterford, MI. 48328  
800.783.5859